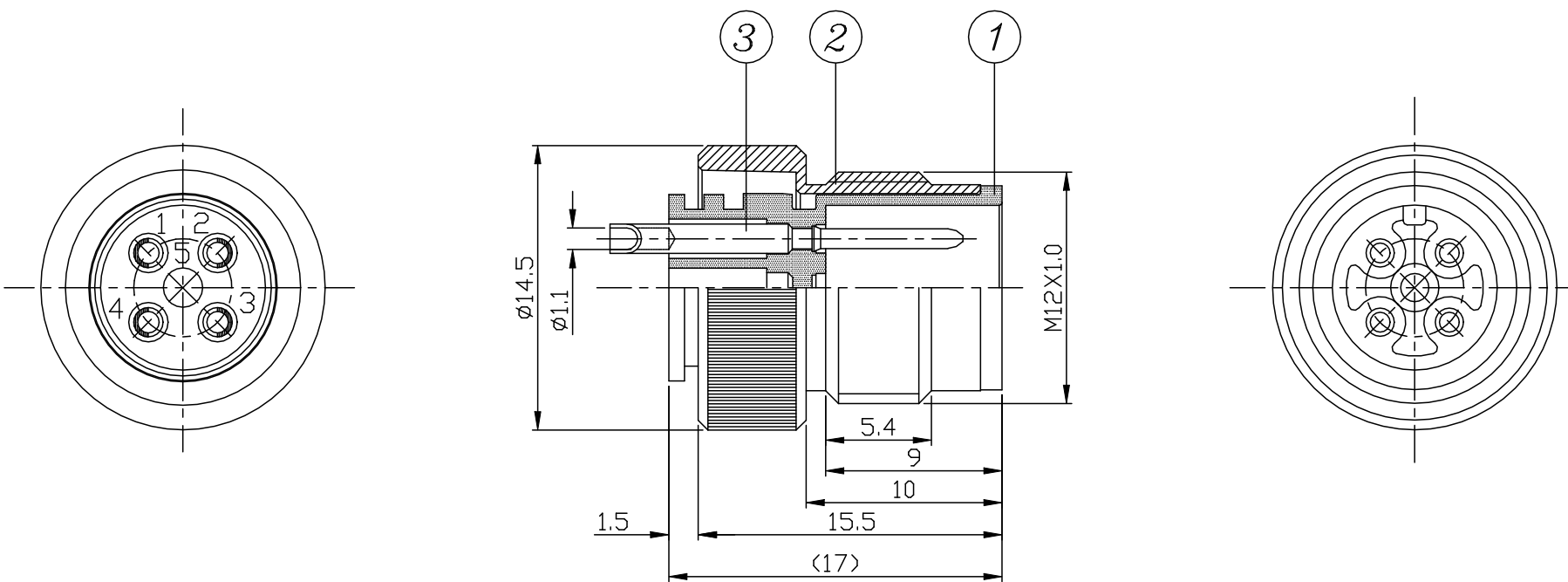


1	2	3	4	5	6	7	8				
THIS DRAWING AND THE DATA DISCLOSED HEREIN OR HEREWITH IS NOT TO BE REPRODUCED USED OR DISCLOSED IN WHOLE OR IN PART TO ANYONE WITHOUT THE PERMISSION OF JESS-LINK PRODUCTS CO.,LTD.(JPC)				CUSTOMER DRAWING DRWC-XXXXXX		REV.	ECN NO.	DESCRIPTION	MDF'D	APP'D	DATE
						01		INITIAL DESIGN	Philip	Richard	12/18/2023
						02					
						03					

Items	Electrical specifications
Rated current/voltage	4A /AC 250V
Withstanding voltage	AC 300V(rms) for 1 minute
Insulation resistance	100M Ω min. at DC 500V
Contact resistance	3m Ω max. at DC 1A



ITEM	DESCRIPTION	Q'TY
3	CONTACT , COPPER ALLOY , M-NI	4 PCS
2	CAP , COPPER ALLOY , M-NI	1 PCS
1	INSULATOR , NYLON PA66	1 PCS

RoHS COMPLIANT	Unit:mm(inch)	PROJECTION	ZCables.com		
	GENERAL TOLERANCES: (UNLESS SPECIFIED)				
	0 =±1 (0.039)	D.R. 12/18/2023	TITLE	PD./FILE NO.	
	0.0 =±.3 (0.012)	Philip	M12 A-Code 4 Pin Plug Male Contact		
0.000=±.15(0.006)	CH.K 12/18/2023	SCALE	SIZE	PART NO.	REV. 01
0° =± 2'	Philip	1:1	A4	PZAACM12A12041	SHEET 1 OF 1
0.0° =± 1'	APV.D 12/18/2023	Richard			